

# Single Ramp Wheelchair Scales



Wheelchair Scale Model 350-10-2

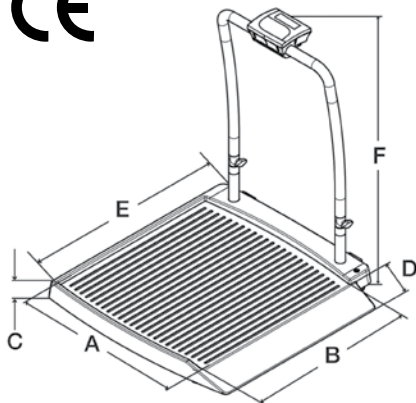


Wheelchair Platform Scale Model 350-10-7



Wheelchair scale in folded position

## APPROVALS



## STANDARD FEATURES

- Capacity: 1000 lb x 0.2 lb (450 kg x 0.1 kg)
- Platform dimensions: 29.5 in x 32 in
- Single ramp for on-off access
- Two wheels for ease of portability
- Motiontrap™ (movement compensation technology)
- Large 1 inch LCD display
- Ability to manually enter the tare weight of a wheelchair
- BMI (body mass index) function
- Hold function
- Unit of measure: lb only, kg only, lb/kg
- EMR capable, USB

### Wheelchair Platform (Model 350-10-7)

- 6.5 ft cable between scale base and indicator

## SPECIFICATIONS

### Power:

9VDC, provided by 6 "AA" alkaline batteries (included) or AC adaptor (optional)

### Battery Type:

Sealed lead acid

### Battery Use:

25 hours continuous use with batteries

### Operating Temperature:

50°F to 104°F (14°C to 40°C)

### Warranty:

Two-year limited warranty

### Approvals:

CE

## PART NUMBER/PRICE

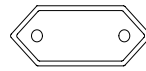
PART #	MODEL	CAPACITY	WEIGHT	PRICE
<b>Single Ramp Wheelchair Scale</b>				
141445	350-10-2	1000 lb (450 kg) x 0.2 lb (0.1 kg)	72 lb	Consult
<b>Single Ramp Wheelchair Platform Scale</b>				
141446	350-10-7	1000 lb (450 kg) x 0.2 lb (0.1 kg)	60 lb	Consult

## OPTIONS/ACCESSORIES

PART #	DESCRIPTION	PRICE
133077	9V AC adaptor, 120V/230V auto switching †	Consult
102508	9V AC adaptor, 230V ††	Consult



† NEMA 1-15 Plug



†† CEE 7/16 Euro Plug

## DIMENSIONS

<b>Wheelchair Platform Scale</b>			
A	32 in	D	9.25 in
B	29.5 in	E	37.5 in
C	2.375 in	F	N/A
<b>Wheelchair Scale</b>			
A	29.5 in	D	9.25 in
B	32 in	E	37.5 in
C	2.375 in	F	39.75 in