

## SUSCR610BLMED

34.0" x 23.63" x 23.5" (H x W x D)

Built-in 5.0 cu. ft undercounter medical refrigerator with temperature alarm, hospital grade cord, and front lock center w/SS interior, lock, and digital thermostat.

### Highlights:

Reversible glass door and LED lighting provide an attractive display

Stainless steel interior ensures long-lasting durability with easy cleanup

Digital controls offer easy and intuitive temperature management

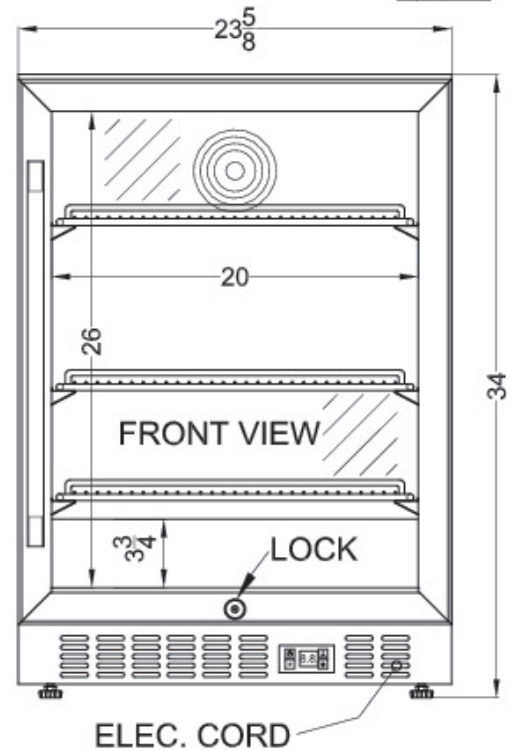
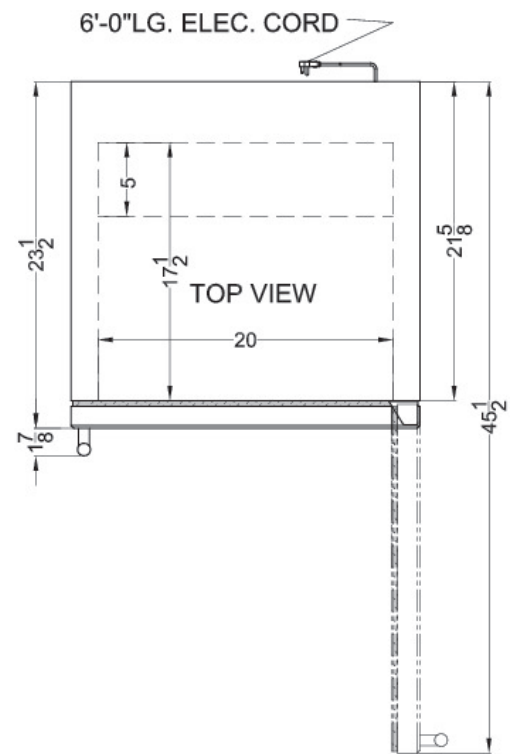
Open door alarm



Built-in capable	Make the best use of space by installing this unit under the counter and flush with other cabinetry
Fully finished black cabinet	Allows the unit to be used freestanding
Double pane tempered glass door	Stainless steel trimmed glass door offers a full display of stored items
Stainless steel interior	Walls are constructed from stainless steel for added strength and easy cleanup
Factory installed lock	Keyed lock for a secure interior
Digital thermostat	Intuitive digital controls ensure easy temperature management
Reversible door	User-reversible door swing allows for more flexibility in placing the unit
Cantilevered chrome shelves	Rearrange refrigerator space to accommodate all sizes or remove shelves for simple cleanup
Professional handle	Stainless steel handle completes the professional look

## SCR610BL Specifications:

Height	34.0"
Width	23.63"
Depth	23.5"
Capacity	5.0 cu.ft.
Ext Depth with Handle	25.38"
Interior Height 1	26.0"
Interior Width 1	20.0"
Interior Depth 1	17.5"
Comp Step Height	3.75"
Comp Step Width	20.0"
Comp Step Depth	5.0"
Shipping Weight	130.0 lbs.
Weight	100.0 lbs.
Canadian Electrical Safety	ETL-C
Voltage/Frequency	115 V AC/60 Hz
Amps	0.8
US Electrical Safety	ETL
Reversible	Yes
Door Swing	RHD
Shelf Quantity	3
Adjustable Shelf	true
Shelf Type	Chrome
Defrost Type	Automatic
Depth with door at 90°	45.5"
Light	true
Thermostat Type	Digital
Fan Type	Interior and Exterior
Freon Oz	0.99
High Side PSI	270.0
Low Side PSI	105.0
Refrigerant Type	R600a
Level Legs Quantity	2
Compressor Warranty	5 Years
Parts/Labor Warranty	1 Year
Sanitation	ETL-S



# ROXON

1-800-361-6991